



भारतीय रेल (रेल मंत्रालय)
डीजल रेल इंजन कारखाना
वाराणसी-२२१००४, भारत
INDIAN RAILWAYS (MINISTRY OF RAILWAYS)
DIESEL LOCOMOTIVE WORKS
VARANASI-221004, INDIA



No. dlw.m.65.262

Date: 26.03.2014

DESIGN BULLETIN

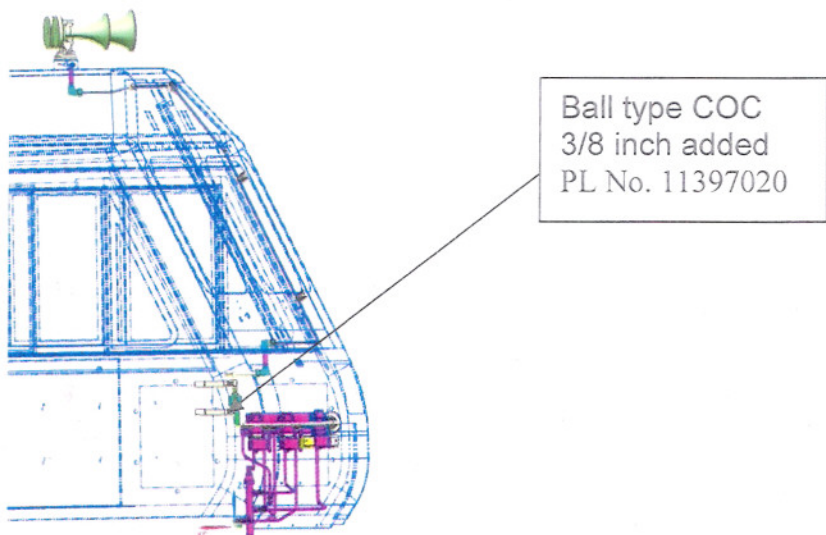
Design Bulletin No. – DB/02/2014/05

Subject : Provision of cut-out cock in the horn application air circuit / Horn pipeline in HHP locomotives.

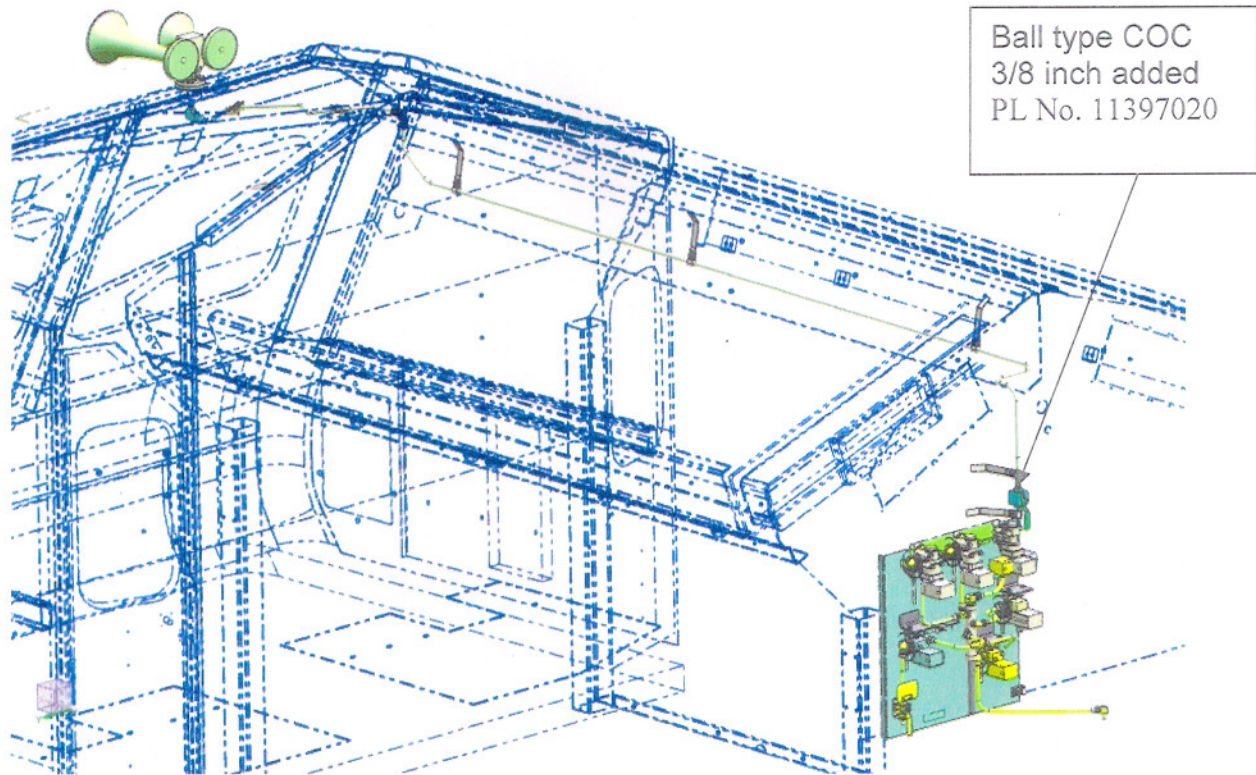
References: CMPE(Dsl)/SC Rly's L.No. M.92/DSL/10/Vol-XI dtd 26.02.2014

Objective : Provision of a cut-out-cock in horn pipe application in HHP locomotives has been suggested by CMPE(D)/SC Rly (vide letter dated 26.02.2014). Modification in the air circuit for horn application has accordingly been done and the details of modification are summarized in this bulletin.

Modification Details:



Sketch-1: Modification of Front horn piping of HHP loco



Sketch-2: Modification of Rear Horn piping of HHP loco

Design modification:

Cut-out-cock (PL No.11397020) has been provided in horn application pipeline at locations indicated in sketches 1 & 2 above. Drawings affected are : 17066335, 17066347


Applicability : WDG4/WDP4B/WDP4D/WDG4D locomotives

Implementation :

CME(P),CQAM, CME(M), Dy.CME(Loco)

Circulation:

CME(P),CQAM, CME(M),Dy.CME(Loco)


26/3/14
(S.K.Singh)
Dy.CDE(Vehicle)